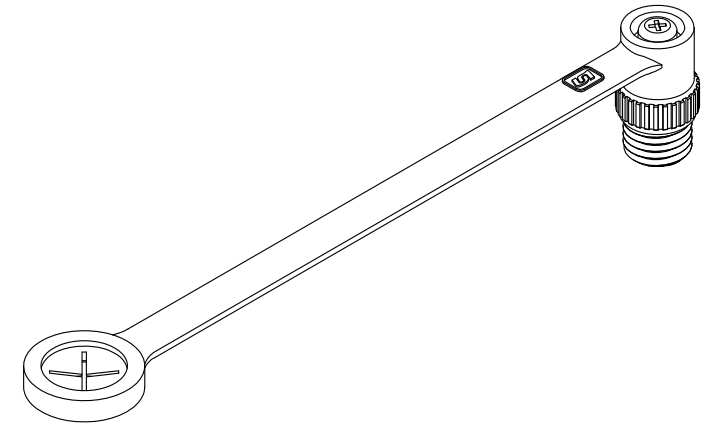
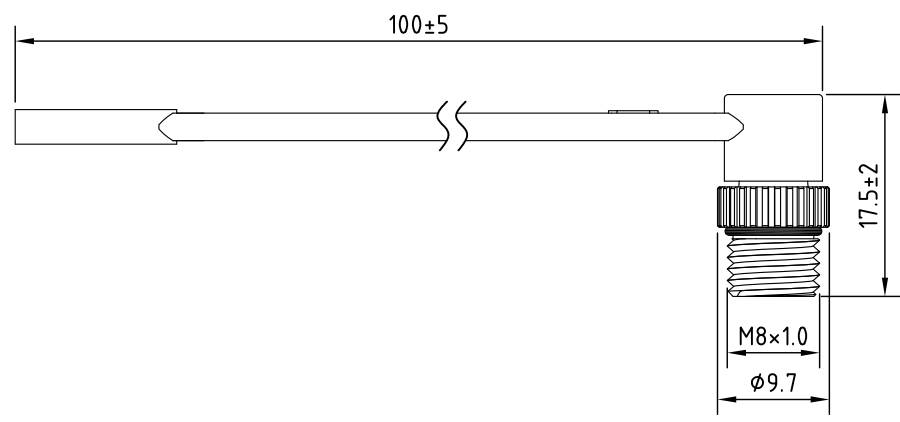
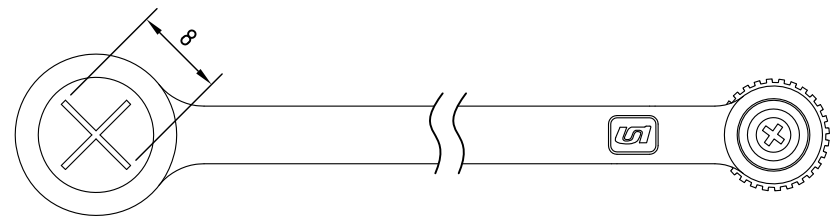


| REV. | Description | Date |
|------|--------------------|----------|
| 1 | dimensions revised | 2020/2/5 |



RoHS
TOLERANCE ±0.5

| 5 | Screw | SUS | |
|------|-------------|----------|----------------|
| 4 | Washer | SUS | |
| 3 | Cable tie | PVC | |
| 2 | O ring | Rubber | |
| 1 | Cap | PA | |
| Item | Description | Material | Treat & Remark |



Unicable Co., Ltd. 國陽電業有限公司
5F., No. 111-33, Sec. 4, San Ho Road, San Chung City, Taiwan, R.O.C.
<http://www.unicable.com.tw> TEL:+886-2-2286-2122 FAX:+886-2-2286-1010

| | | | |
|------|----------|----------|-----------|
| DATE | 2020/2/5 | PART NO. | UT-205C-6 |
| DWN | GINA | REV. | 1 |
| CHK | | | |
| UNIT | MM | | |

| | |
|------|----------------|
| ITEM | Waterproof Cap |
|------|----------------|