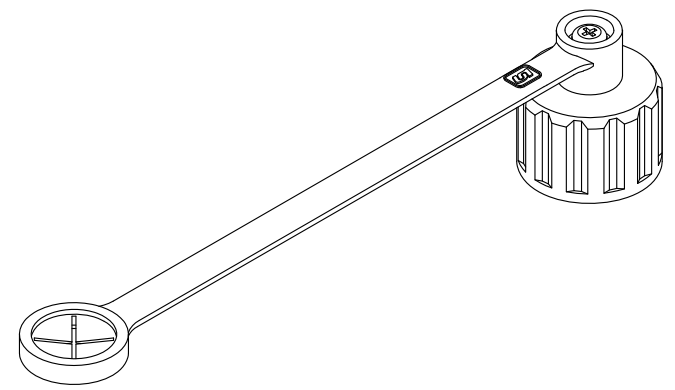
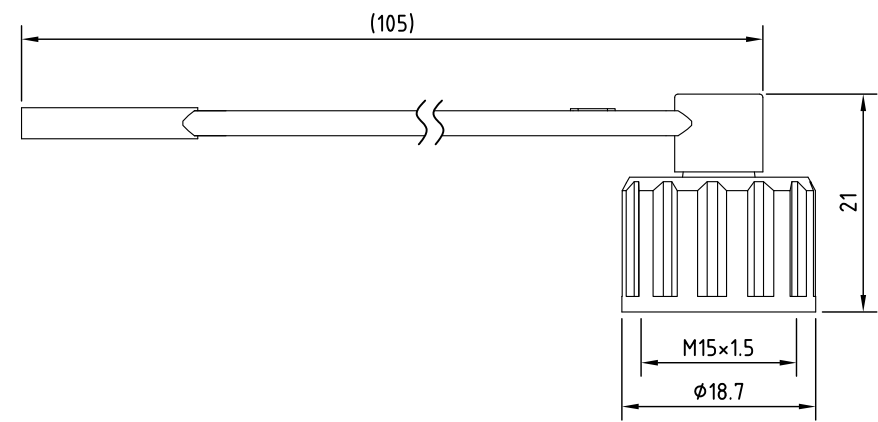
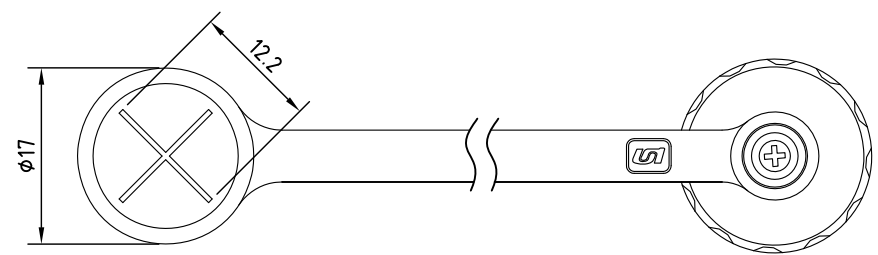


REV.	Description	Date
1	cable tie dimensions revised	2018/9/3



RoHS
TOLERANCE X±0.5 .X±0.3

5	Screw	SUS	
4	Washer	SUS	
3	Cable tie	PVC	
2	Pad	Rubber	
1	Body	PA	
Item	Description	Material	Treat & Remark



Unicable Co., Ltd. 國陽電業有限公司
5F., No. 111-33, Sec. 4, San Ho Road, San Chung City, Taiwan, R.O.C.
<http://www.unicable.com.tw> TEL:+886-2-2286-2122 FAX:+886-2-2286-1010

DATE	2018/9/3	PART NO.	UT-224C-2
DWN	GINA	REV.	1
CHK			
UNIT	MM		

ITEM	Waterproof Cap
------	----------------