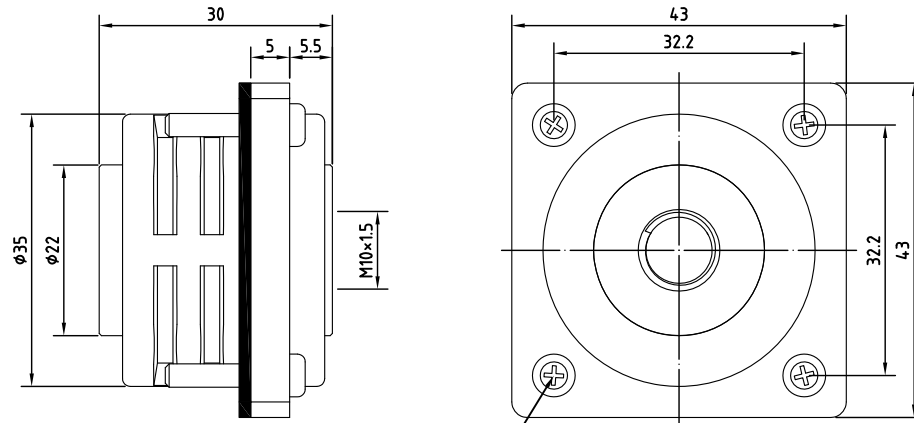


REV.	Description	Date
1	add electrical characteristics	2018/8/21
2	BOM list revise	2018/10/5

Electronical Characteristics

Rated voltage : 1000V
 Rated current : 500A
 Insulation resistance : $\geq 10M\Omega$
 *Operating temperature: -30°C to 115°C



$\phi 3.2 \times 4$
 Recommended mounting screw #4-40

Part Number Table

part number	Body color
UT-3649-01	Red
UT-3649-02	Black

4	Setscrew	SUS #4-40	
3	Pad	Rubber	
2	Body	PA	
1	Metal	Brass	Nickel Ptd.
Item	Description	Material	Treat

RoHS

TOLERANCE X \pm 0.5 X.X \pm 0.3



Unicable Co., Ltd. 國陽電業有限公司

5F., No. 111-33, Sec. 4, San Ho Road., San Chung Dist., New Taipei City, Taiwan, R.O.C.
<http://www.unicable.com.tw> TEL:+886-2-2286-2122 FAX:+886-2-2286-1010

DATE	2018/10/5	PART NO.	UT-3649-XX
DWN	GINA	REV.	2
CHK			
UNIT	MM		

ITEM	High Power		
------	------------	--	--