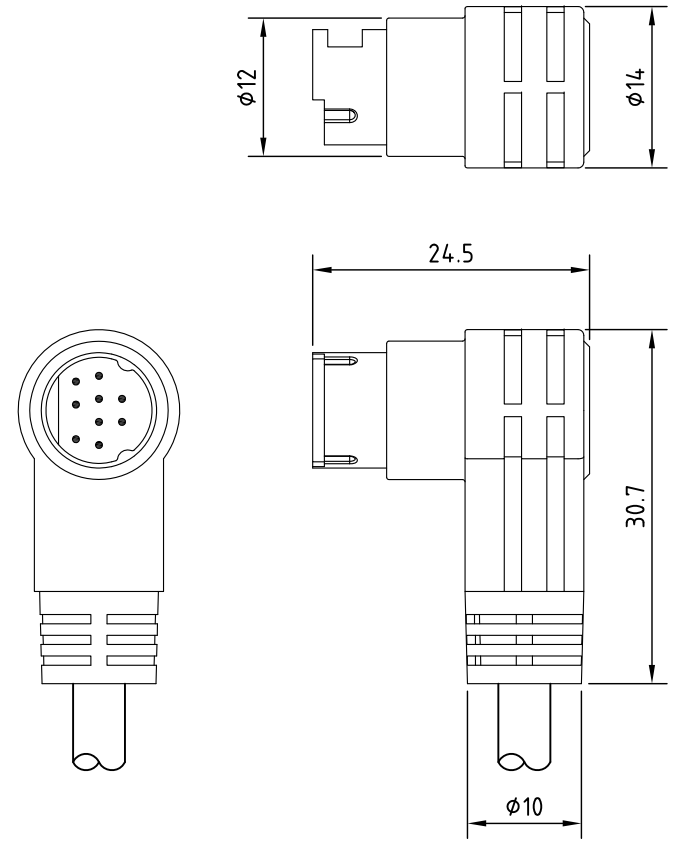


REV.	Description	Date
1	part no. revise	2016/10/27

### Specification

1. Current carrying capacity: 12V DC 2A max.
2. Contact resistance: 30mΩ max.
3. Insulation resistance: DC 250V 50MΩ min.
4. Dielectric strength: AC 250V / 1 minute



RoHS

TOLERANCE X±0.5 X.X±0.3



**Unicable Co., Ltd. 國陽電業有限公司**

5F., No. 111-33, Sec. 4, San Ho Road, San Chung City, Taiwan, R.O.C.  
<http://www.unicable.com.tw> TEL:+886-2-2286-2122 FAX:+886-2-2286-1010

DATE	2016/10/27	PART NO.	UT-D028-9P
DWN	GINA	REV.	1
CHK			
UNIT	MM		

ITEM	Molded MINI DIN Connector Cable
------	---------------------------------