

REV.	Description	Date
1	rate voltage revise	2012/9/10
2	add P/N table	2012/12/26

## Specification of connector

### General Characteristics

Locking system : Twist Lock  
Shell protection : IP67

### Electronical Characteristics

Rated voltage : 1000V  
Rated current : 300A  
Contact resistance :  $\leq 0.15\text{m}\Omega$

### Materials

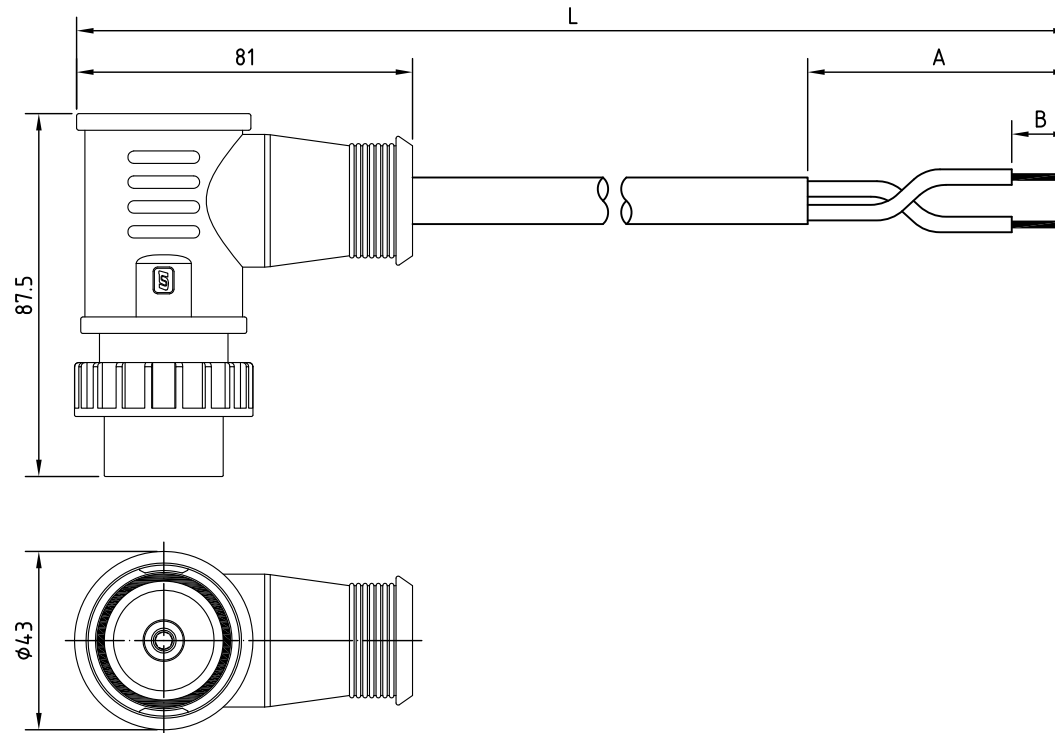
Pin contact : brass  
Contact plating : gold plated  
Ring nut : PA  
O-ring : rubber

## Specification of cable

Material Jacket	PVC	PUR

## Part Number Table

Part number	Ring nut color
UT-D262M1-01	Red
UT-D262M1-02	Black



RoHS



**Unicable Co., Ltd. 國陽電業有限公司**

5F., No. 111-33, Sec. 4, San Ho Road., San Chung Dist., New Taipei City, Taiwan, R.O.C.  
http://www.unicable.com.tw TEL:+886-2-2286-2122 FAX:+886-2-2286-1010

DATE	2018/10/5	PART NO.	UT-D262M1-XX
DWN	GINA	REV.	2
CHK			
UNIT	MM		

ITEM

High Power