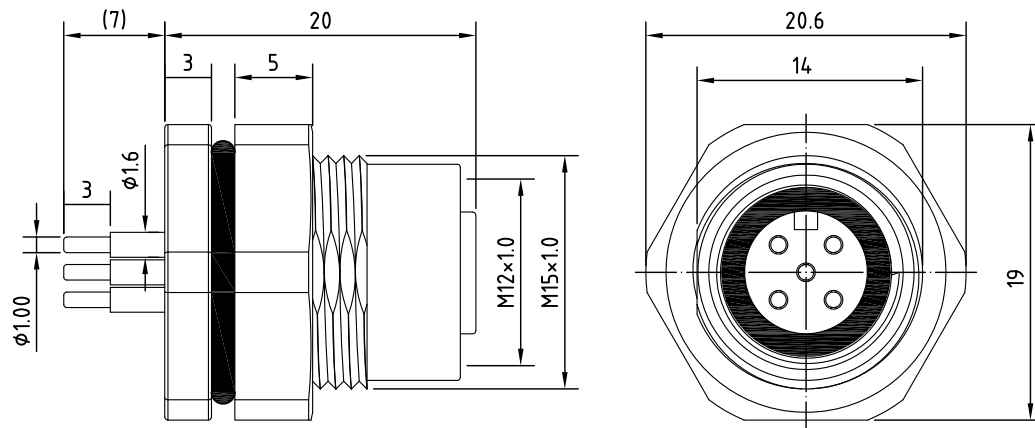


REV.	Description	Date



Specification of connector

- Locking system : screw M12
- Termination : DIP
- Shell protection : IP68
- Rated voltage : 250V
- Rated current : 5A
- Contact resistance : $\leq 10\text{m}\Omega$
- Insulation resistance : $\geq 10\text{M}\Omega$

RoHS

TOLERANCE X \pm 0.5 .X \pm 0.3 .XX \pm 0.2

PART NO.	UT-SD168M3-2P-02	UT-SD168M3-3P-02	UT-SD168M3-4P-02	UT-SD168M3-5P-02
CONTACT ARRANGEMENT FRONT VIEW (FEMALE)				
PCB Layout				

4	Nut	PP	
3	O ring	Rubber	
2	Pin	Brass	Gold plated
1	Housing	PP	
Item	Description	Material	Treat & Remark



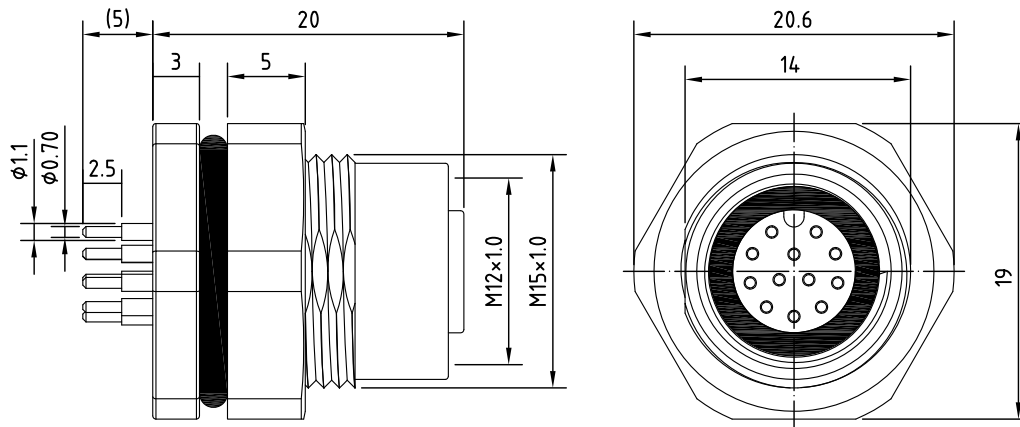
Unicable Co., Ltd. 國陽電業有限公司

5F., No. 111-33, Sec. 4, San Ho Road., San Chung Dist., New Taipei City, Taiwan, R.O.C.
<http://www.unicable.com.tw> TEL:+886-2-2286-2122 FAX:+886-2-2286-1010

DATE	2018/9/3	PART NO.	UT-SD168M3-XP-02
DWN	GINA	REV.	0
CHK			
UNIT	MM		

ITEM	Sensor Connector M12(FEMALE CONN. 2-5PIN)
------	---

REV.	Description	Date



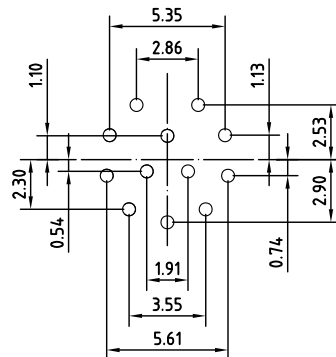
Specification of connector

Locking system : screw M12
 Termination : DIP
 Shell protection : IP68
 Rated voltage : 60V
 Rated current : 1A
 Contact resistance : $\leq 10\text{m}\Omega$
 Insulation resistance : $\geq 10\text{M}\Omega$

RoHS

TOLERANCE X \pm 0.5 .X \pm 0.3 .XX \pm 0.2

PCB Layout



4	Nut	PP	
3	O ring	Rubber	
2	Pin	Brass	Gold plated
1	Housing	PP	
Item	Description	Material	Treat & Remark



Unicable Co., Ltd. 國陽電業有限公司

5F., No. 111-33, Sec. 4, San Ho Road., San Chung Dist., New Taipei City, Taiwan, R.O.C.
<http://www.unicable.com.tw> TEL:+886-2-2286-2122 FAX:+886-2-2286-1010

DATE	2018/9/3	PART NO.	UT-SD168M3-12P-02
DWN	GINA	REV.	0
CHK			
ITEM	Sensor Connector M12(FEMALE CONN. 12PIN)	UNIT	MM