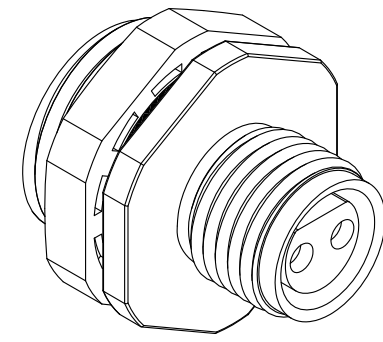
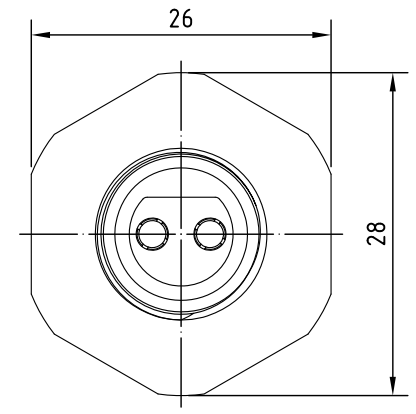
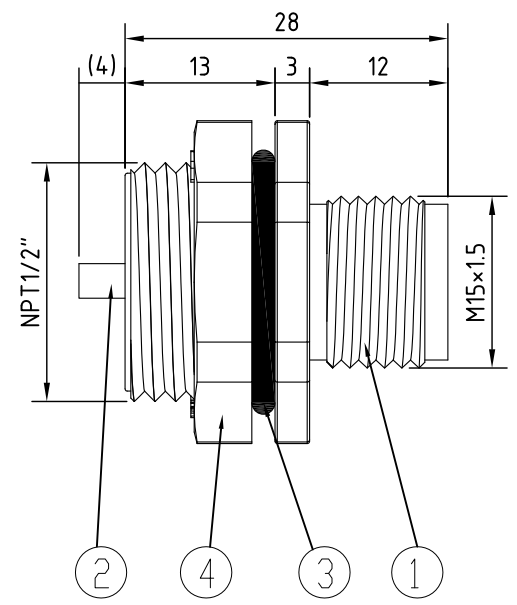


REV.	Description	Date

### Specification of connector

Locking system : screw M15  
 Termination : solder  
 Shell protection : IP68  
 Rated voltage : 250V  
 Rated current : 12A  
 Contact resistance :  $\leq 10\text{m}\Omega$   
 Insulation resistance :  $>10\text{M}\Omega$



RoHS  
TOLERANCE X±0.5 .X±0.3

4	Nut	PA	
3	O ring	Rubber	
2	Pin	Brass	Nickel plated
1	Body	PA	UL94V-0
Item	Description	Material	Treat & Remark



**Unicable Co., Ltd. 國陽電業有限公司**  
 5F., No. 111-33, Sec. 4, San Ho Road, San Chung City, Taiwan, R.O.C.  
<http://www.unicable.com.tw> TEL:+886-2-2286-2122 FAX:+886-2-2286-1010

DATE	2016/10/7	PART NO.	UT-SD2241-2P-N
DWN	GINA	REV.	0
CHK			
UNIT	MM		

ITEM	Sensor Connector M15
------	----------------------