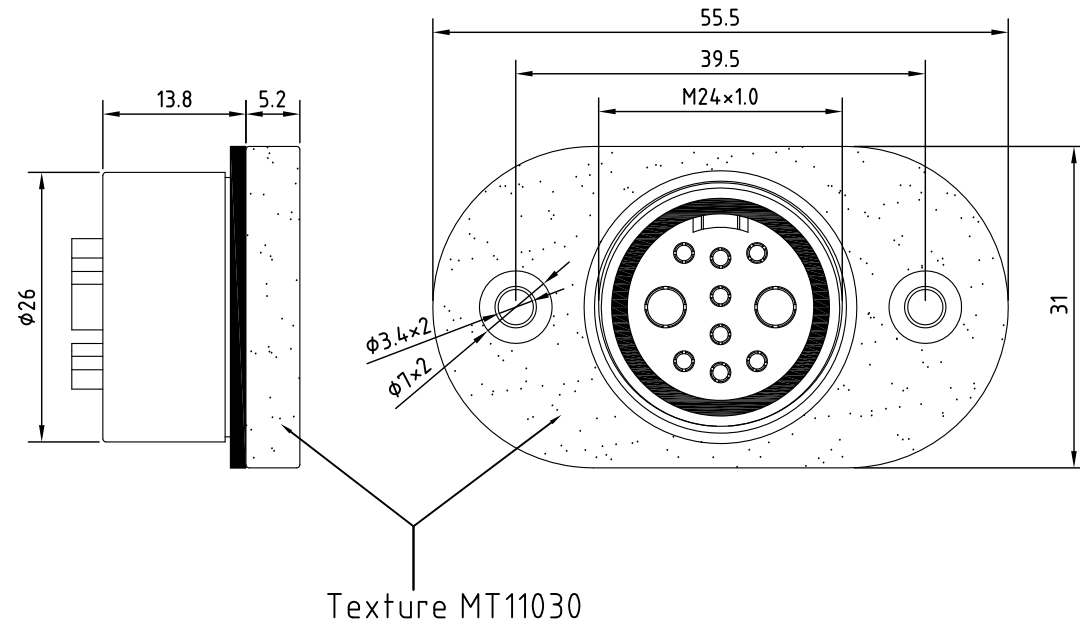


REV.	Description	Date
1	rated current revise	2018/10/5



Specification of connector

- Locking system : screw M24
- Shell protection : IP67
- Rated voltage : 360V, 60V(9BP)
- Rated current : Large pin 35A
Small pin 10A
- Contact resistance : Large pin <5mΩ
Small pin <30mΩ
- Insertion force : <80N
- Withdrawal force : <80N

RoHS
TOLERANCE X±0.5 .X±0.3

CONTACT ARRANGEMENT FRONT VIEW (FEMALE)											
	2P	3AP	3BP	4P	5AP	5BP	5CP	6AP	6BP	7AP	7BP

4	Pad	Rubber
3	O ring	Rubber
2	Pin	Brass/gold plated
1	Body	PA
Item	Description	Material



Unicable Co., Ltd. 國陽電業有限公司

5F., No. 111-33, Sec. 4, San Ho Road., San Chung Dist., New Taipei City, Taiwan, R.O.C.
http://www.unicable.com.tw TEL:+886-2-2286-2122 FAX:+886-2-2286-1010

DATE	2018/10/5	PART NO.	UT-SD259F6-XP
DWN	GINA	REV.	1
CHK			
ITEM	High Power M24	UNIT	MM