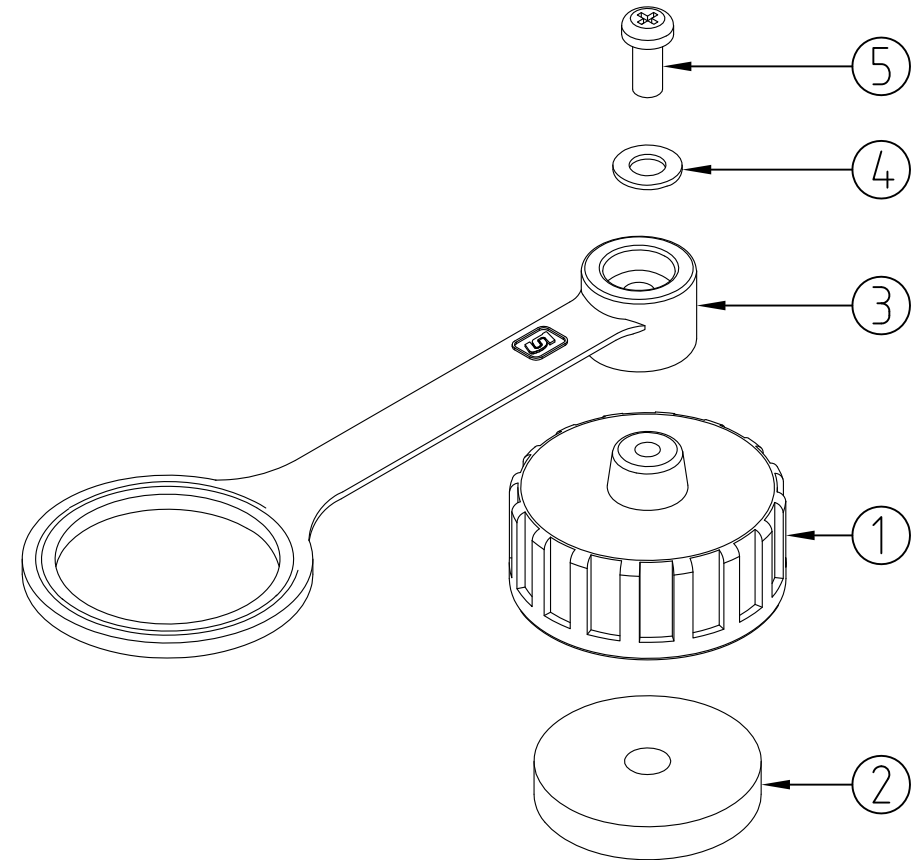
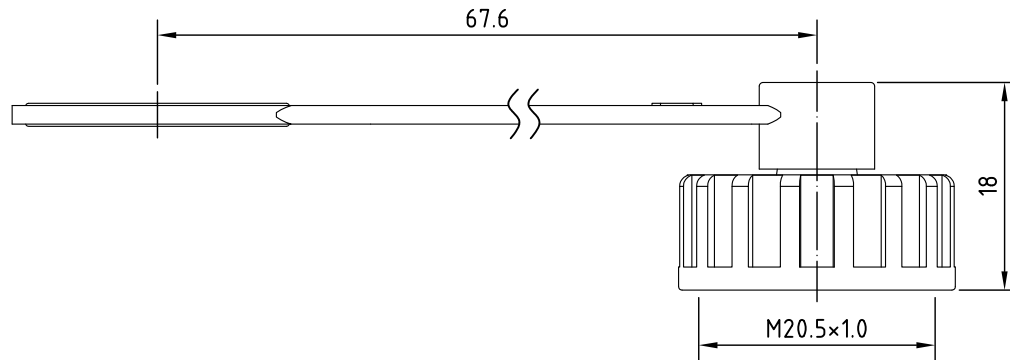
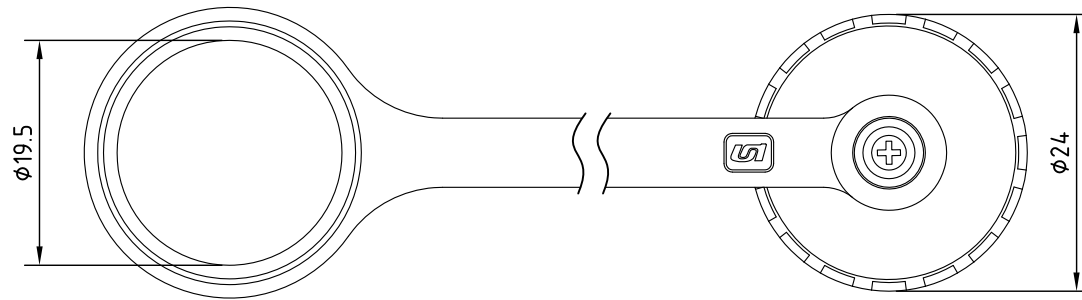


REV.	Description	Date



5	Screw	SUS	
4	Washer	SUS	
3	Cable tie	PVC	
2	Pad	Rubber	
1	Body	PA	
Item	Description	Material	Treat & Remark

RoHS

TOLERANCE X±0.5 X.X±0.3



Unicable Co., Ltd. 國陽電業有限公司

5F., No. 111-33, Sec. 4, San Ho Road, San Chung City, Taiwan, R.O.C.

http://www.unicable.com.tw TEL:+886-2-2286-2122 FAX:+886-2-2286-1010

DATE	2016/10/7	PART NO.	UT-264C-12A
DWN	GINA	REV.	0
CHK			
UNIT	MM		

ITEM	Waterproof Cap
------	----------------