

REV.	Description	Date
1	spec. revise	2012/12/11
2	add electrical characteristics	2016/4/19

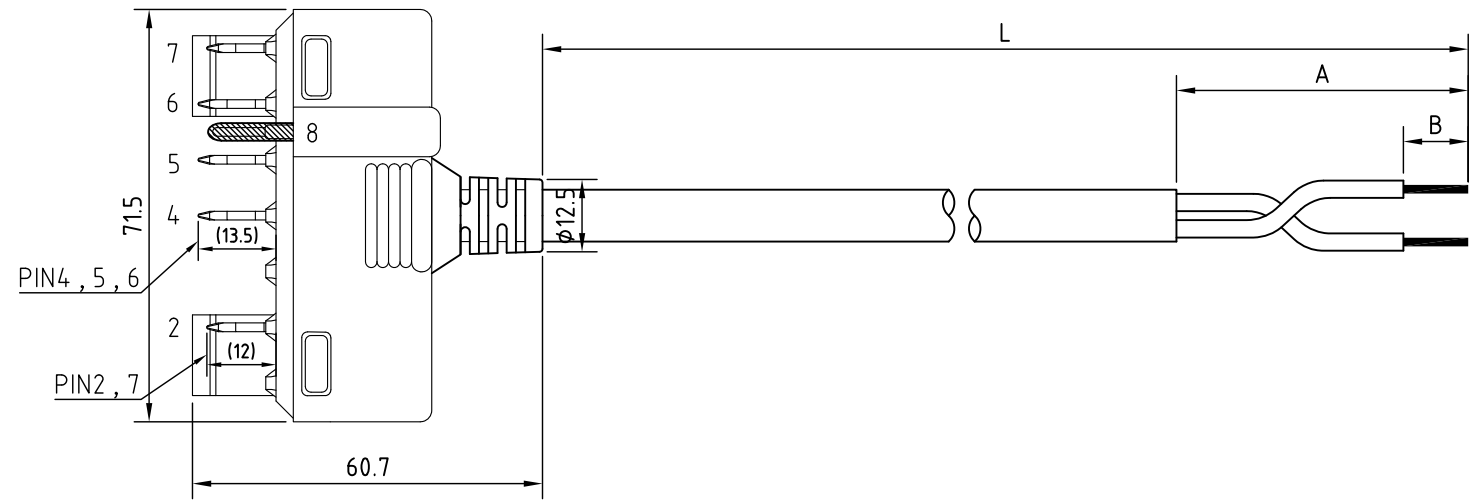
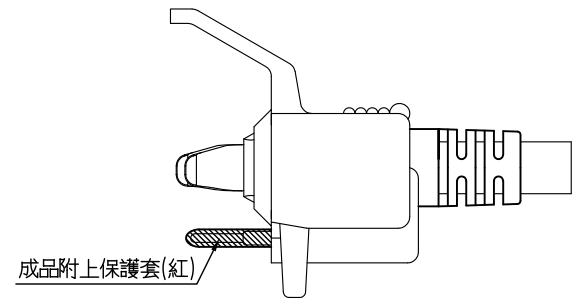
Specification of connector

Electronical Characteristics
 Rated voltage : 250V
 Rated current : 30A
 Contact resistance : 30mΩ

Materials
 Pin contact : brass
 Contact plating : nickel
 Male insert : PA
 Test probe : brass/gold plating

Specification of cable

Material Jacket	PVC	PUR



RoHS



Unicable Co., Ltd. 國陽電業有限公司

5F., No. 111-33, Sec. 4, San Ho Road, San Chung City, Taiwan, R.O.C.
<http://www.unicable.com.tw> TEL:+886-2-2286-2122 FAX:+886-2-2286-1010

DATE	2016/10/7	PART NO.	UT-3773
DWN	GINA	REV.	2
CHK			
ITEM	High Power	UNIT	MM