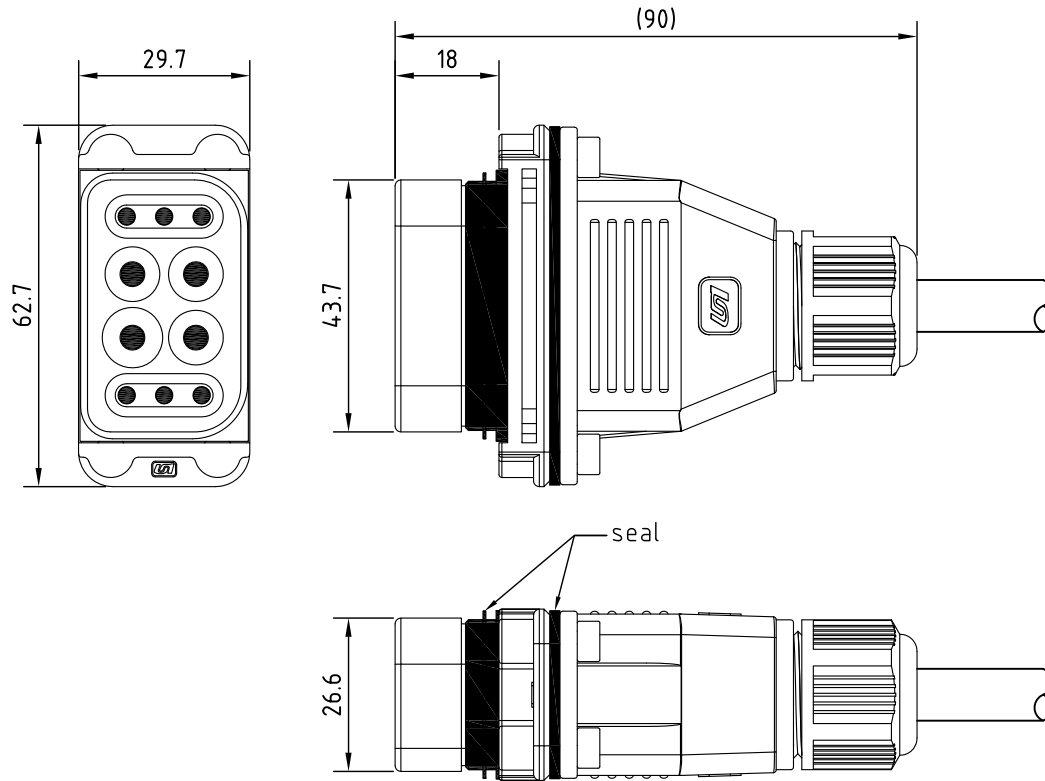


Part No. : UT-4323T-X

- 1-cable OD : 4-7mm
- 2-cable OD : 7.1-9mm
- 3-cable OD : 9.1-11mm



REV.	Description	Date
1	contact resistance revise	2016/4/19

### Electronical Characteristics

Rated voltage	: 600V
Rated current	: Large pin 30A Small pin 5A
Contact resistance	: Large pin <5mΩ Small pin <30mΩ
Insertion force	: <80N
Withdrawal force	: <80N
Operating temperature	: -20°C TO +85°C

RoHS

TOLERANCE X±0.5 X.X±0.3



**Unicable Co., Ltd. 國陽電業有限公司**

5F., No. 111-33, Sec. 4, San Ho Road, San Chung City, Taiwan, R.O.C.

<http://www.unicable.com.tw> TEL:+886-2-2286-2122 FAX:+886-2-2286-1010

DATE	2016/10/7	PART NO.	UT-4323T-X
DWN	GINA	REV.	1
CHK			
UNIT	MM		

ITEM

Connector Male