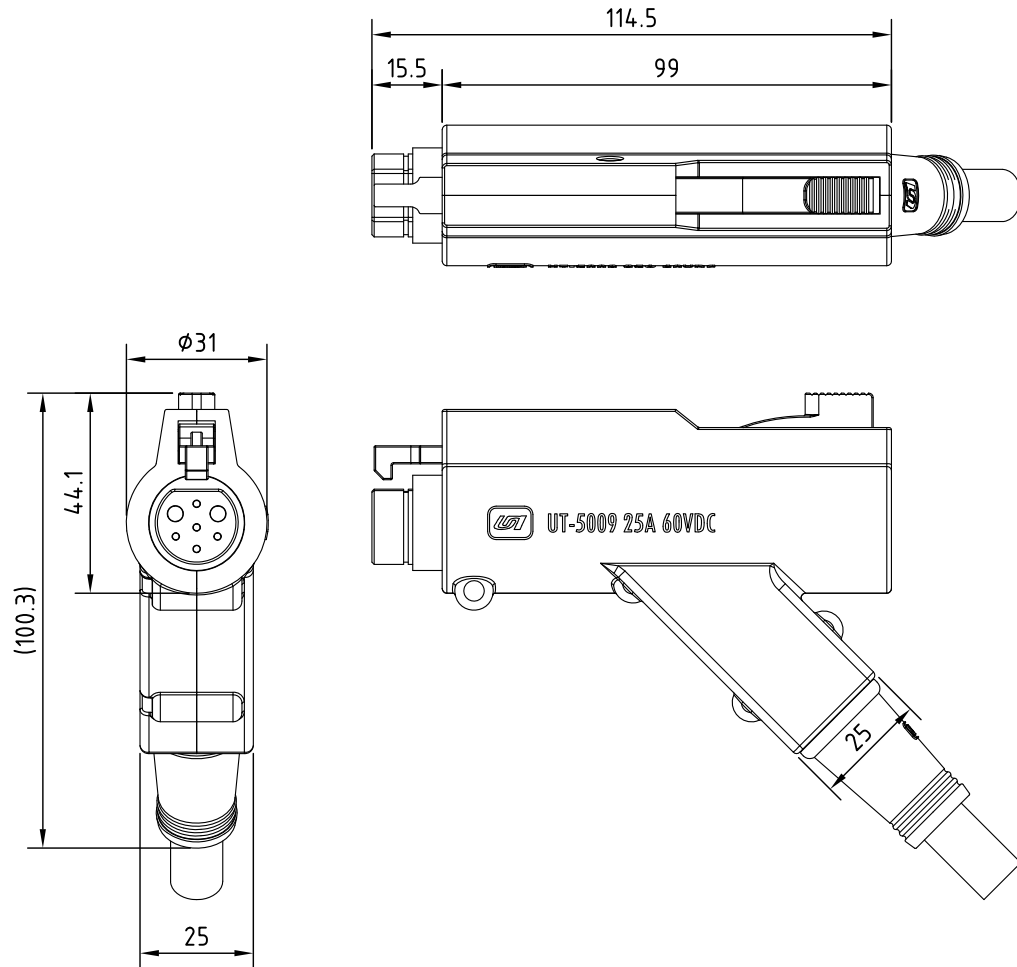


REV.	Description	Date



Specification of connector

- Locking system : Quick Lock
- Shell protection : IP65
- Rated voltage : 250V
- Rated current : Large pin 35A  
Small pin 10A
- Contact resistance : Large pin <5mΩ  
Small pin <30mΩ
- Insertion force : <80N
- Withdrawal force : <80N

RoHS



**Unicable Co., Ltd. 國陽電業有限公司**

5F., No. 111-33, Sec. 4, San Ho Road., San Chung Dist., New Taipei City, Taiwan  
<http://www.unicable.com.tw> Tel:+886-2-2286-2122 Fax:+886-2-2286-1010

DATE	2019/6/17	PART NO.	UT-5009
DWN	GINA	REV.	0
CHK			
UNIT	MM		

ITEM	Type K: Female connector
------	--------------------------