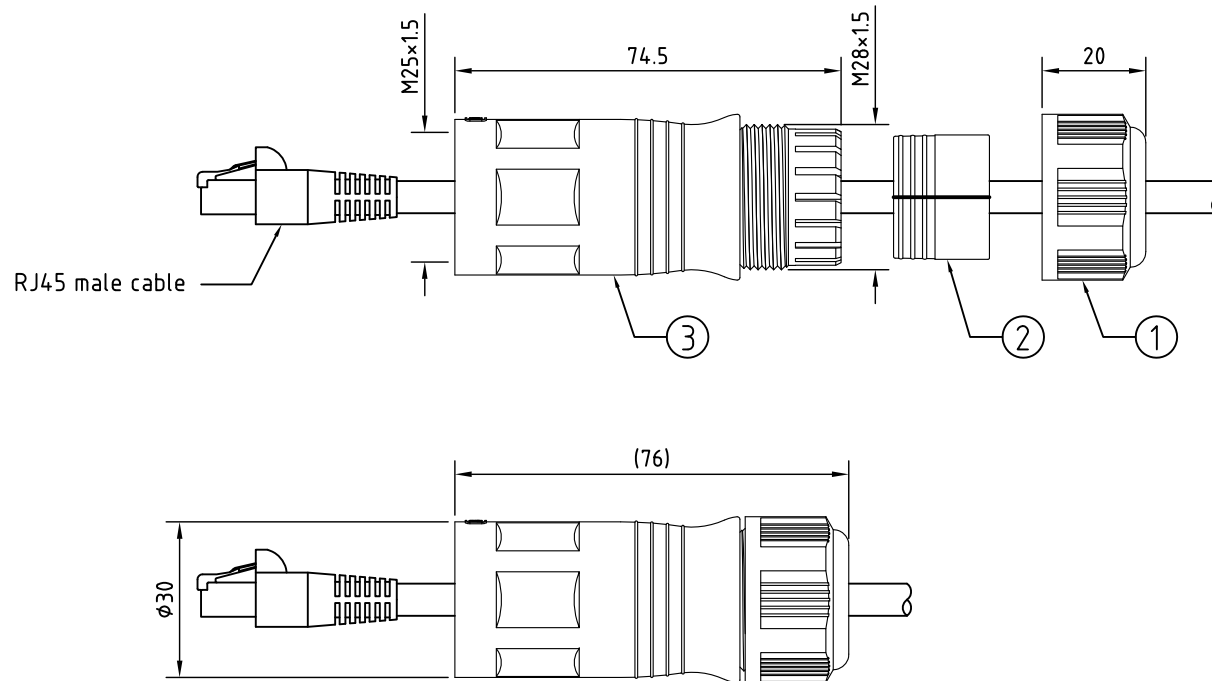


| REV. | Description | Date |
|------|-------------|------|
|      |             |      |

### Specification of connector

Locking system : Screw M25×1.5  
 Shell protection : IP68 when mated



RoHS  
 TOLERANCE X±0.5 .X±0.3

| 3    | Body        | PA       |                |
|------|-------------|----------|----------------|
| 2    | Seal        | TPR      |                |
| 1    | Screw nut   | PA       |                |
| Item | Description | Material | Treat & Remark |



**Unicable Co., Ltd. 國陽電業有限公司**

5F., No. 111-33, Sec. 4, San Ho Road., San Chung Dist., New Taipei City, Taiwan, R.O.C.  
<http://www.unicable.com.tw> TEL:+886-2-2286-2122 FAX:+886-2-2286-1010

|      |           |          |         |
|------|-----------|----------|---------|
| DATE | 2019/7/18 | PART NO. | UT-5164 |
| DWN  | GINA      | REV.     | 0       |
| CHK  |           |          |         |
| UNIT | MM        |          |         |

|      |                 |
|------|-----------------|
| ITEM | Waterproof RJ45 |
|------|-----------------|