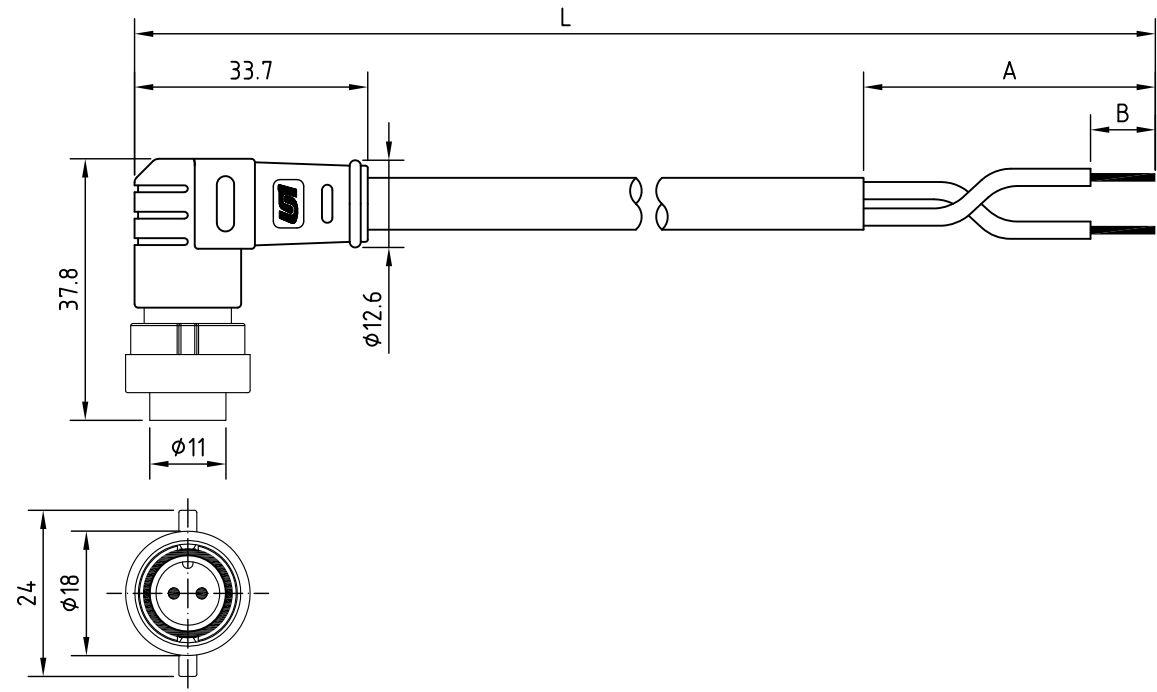


REV.	Description	Date
1	upgrade drawing	2014/3/17



### Specification of connector

#### General Characteristics

- Locking system : Push and Lock
- Termination : solder
- Shell protection : IP68
- Contact resistance :  $\leq 10m\Omega$
- Insulation resistance :  $\geq 10M\Omega$

#### Materials

- Pin contact : brass
- Contact plating : gold
- Male insert : PA
- Ring nut : PA
- O-ring : rubber

### Specification of cable

Material Jacket	PVC	PUR

RoHS

CONTACT ARRANGEMENT FRONT VIEW (MALE)		
	2P	3P
Rated voltage	250V	
Rated current	10A	



**Unicable Co., Ltd. 國陽電業有限公司**  
 5F., No. 111-33, Sec. 4, San Ho Road, San Chung City, Taiwan, R.O.C.  
<http://www.unicable.com.tw> TEL:+886-2-2286-2122 FAX:+886-2-2286-1010

DATE	2016/10/7	PART NO.	UT-D231M4-2S-XP
DWN	GINA	REV.	1
CHK			
UNIT	MM		

ITEM	Sensor Connector M15.5
------	------------------------