

REV.	Description	Date
1	upgrade drawing	2014/3/26
2	add 19P arrangement	2016/3/4
3	rated current revise	2018/10/5

Specification of connector

General Characteristics

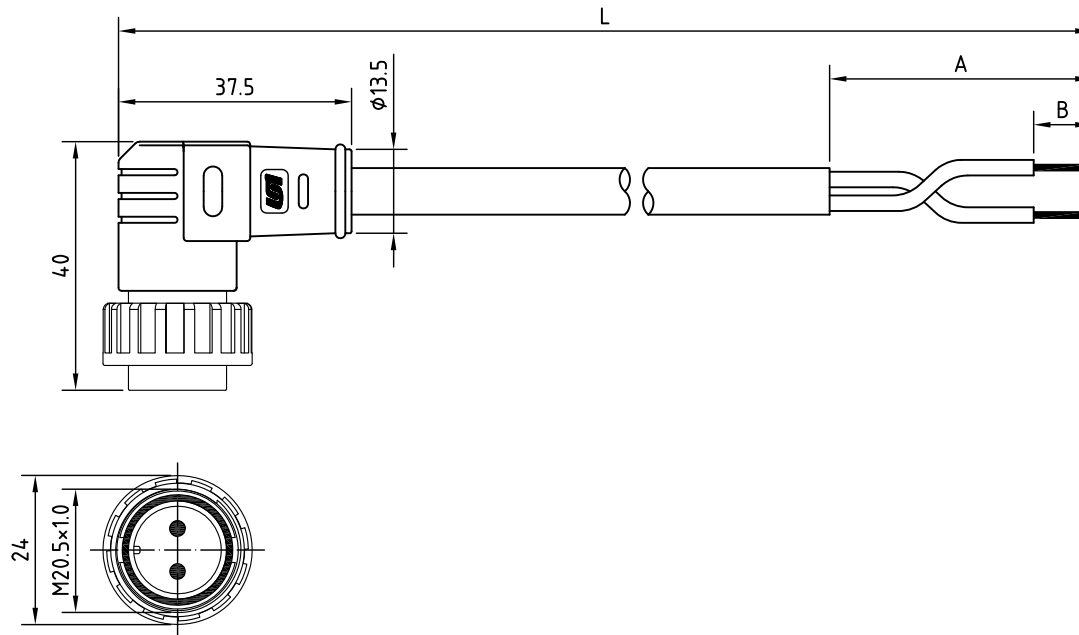
Locking system : screw M20.5
 Termination : solder
 Shell protection : IP68
 Contact resistance : $\leq 5m\Omega$
 Insulation resistance : $\geq 10M\Omega$

Materials

Pin contact : brass
 Contact plating : gold
 Male insert : PA
 Ring nut : PA
 O ring : rubber

Specification of cable

Material Jacket	PVC	PUR



RoHS

CONTACT ARRANGEMENT FRONT VIEW (MALE)	2P	3P	4P	5P	6P	7P	8P	2+8(10)P	3+6(9)P	19P
Rated voltage	360V		250V		125V	125V		60V		60V
Rated current	25A		15A		10A		25A/5A		5A	



Unicable Co., Ltd. 國陽電業有限公司

5F., No. 111-33, Sec. 4, San Ho Road., San Chung Dist., New Taipei City, Taiwan, R.O.C.
<http://www.unicable.com.tw> TEL:+886-2-2286-2122 FAX:+886-2-2286-1010

DATE	2018/10/5	PART NO.	UT-D240M-1-XP
DWN	GINA	REV.	3
CHK			
UNIT	MM		

ITEM	Sensor Connector M20.5
------	------------------------