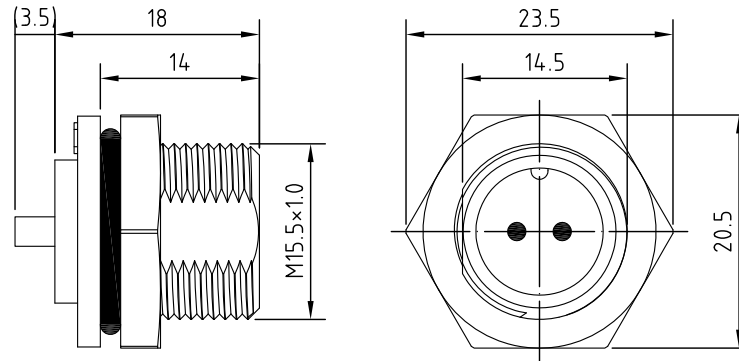


Recommended Panel cut-out



REV.	Description	Date
2	add recommended panel cut-out	2018/4/16
3	panel cut-out dimension revise	2020/9/16
4	part number change	2024/11/27

Specification of connector

Locking system : screw M15.5  
 Termination : solder  
 Shell protection : IP68  
 Contact resistance :  $\leq 10\text{m}\Omega$   
 Insulation resistance :  $\geq 10\text{M}\Omega$

RoHS  
 TOLERANCE X $\pm$ 0.5 .X $\pm$ 0.3

CONTACT ARRANGEMENT FRONT VIEW (MALE)										
	02P	03P	04A	04B	05P	06P	07P	08P	10P	12P
Rated voltage	250V		250V		125V			60V		
Rated current	10A		5A			2A				

4	Nut	PA
3	O ring	Rubber
2	Pin	Brass/Gold plated
1	Body	PA
Item	Description	Material&Plating



Unicable Co., Ltd. 國陽電業有限公司

5F., No. 111-33, Sec. 4, San Ho Road., San Chung Dist., New Taipei City, Taiwan  
<http://www.unicable.com.tw> Tel:+886-2-2286-2122 Fax:+886-2-2286-1010

PART NO.	3081A-A12M21xxx-01/UT-SD210F1-XP		
DATE	2024/11/27	UNIT	MM
DWN	GINA	REV.	4
CHK			

ITEM	Sensor Connector M15.5
------	------------------------