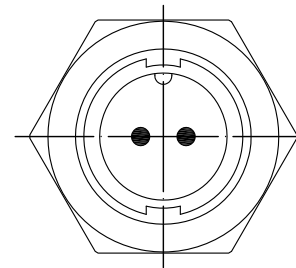
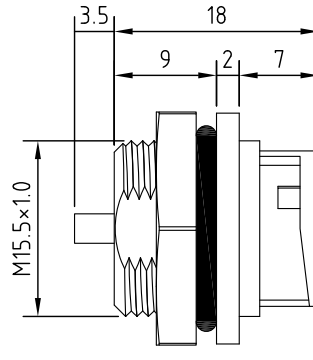
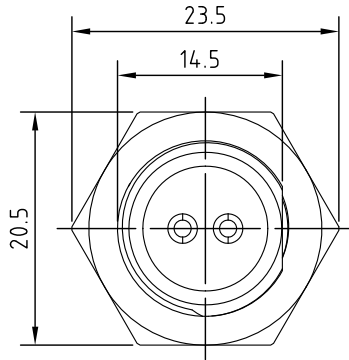


Recommended Panel cut-out



REV.	Description	Date
1	upgrade drawing	2014/3/24
2	add recommended panel cut-out	2018/4/16
3	panel cut-out dimension revise	2020/9/16

Specification of connector

Locking system : Twist Lock
 Termination : solder
 Shell protection : IP68
 Contact resistance : $\leq 10\text{m}\Omega$
 Insulation resistance : $\geq 10\text{M}\Omega$

RoHS
 TOLERANCE X ± 0.5 .X ± 0.3

CONTACT ARRANGEMENT FRONT VIEW (MALE)			
		2P	3P
Rated voltage	250V		
Rated current	10A		

CONTACT ARRANGEMENT FRONT VIEW (MALE)							
		4BP	5P	6P	7P	8P	10P
Rated voltage	250V		125V			60V	
Rated current			5A			2A	

4	Nut	PA
3	O ring	Rubber
2	Pin	Brass/Gold plated
1	Body	PA
Item	Description	Material&Plating



Unicable Co., Ltd. 國陽電業有限公司

5F., No. 111-33, Sec. 4, San Ho Road., San Chung Dist., New Taipei City, Taiwan
<http://www.unicable.com.tw> Tel:+886-2-2286-2122 Fax:+886-2-2286-1010

DATE	2020/9/16	PART NO.	UT-SD210F4-XP-01
DWN	GINA	REV.	3
CHK			
ITEM	Sensor Connector M15.5	UNIT	MM