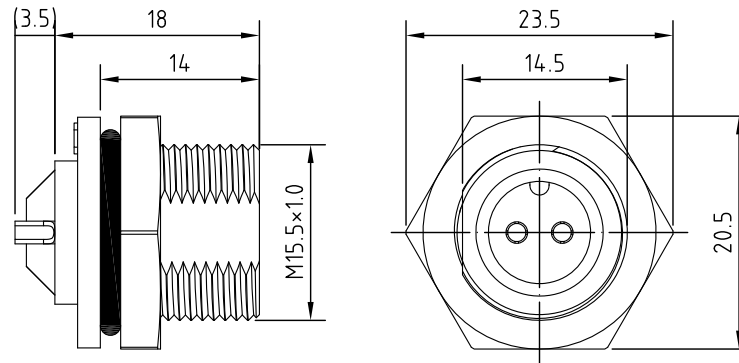


Recommended Panel cut-out

| REV. | Description                    | Date      |
|------|--------------------------------|-----------|
| 1    | add recommended panel cut-out  | 2018/4/16 |
| 2    | panel cut-out dimension revise | 2020/9/16 |

Specification of connector

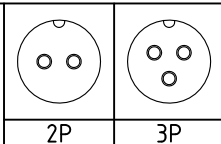
Locking system : screw M15.5  
 Termination : solder  
 Shell protection : IP68  
 Rated voltage : 250V  
 Rated current : 10A  
 Contact resistance :  $\leq 10\text{m}\Omega$   
 Insulation resistance :  $\geq 10\text{M}\Omega$



RoHS  
TOLERANCE X $\pm$ 0.5 .X $\pm$ 0.3

| 4    | Nut         | PA                |
|------|-------------|-------------------|
| 3    | O ring      | Rubber            |
| 2    | Pin         | Brass/Gold plated |
| 1    | Body        | PA                |
| Item | Description | Material&Plating  |

CONTACT ARRANGEMENT FRONT VIEW (FEMALE)



Unicable Co., Ltd. 國陽電業有限公司

5F., No. 111-33, Sec. 4, San Ho Road., San Chung Dist., New Taipei City, Taiwan  
<http://www.unicable.com.tw> Tel:+886-2-2286-2122 Fax:+886-2-2286-1010

|      |           |          |               |
|------|-----------|----------|---------------|
| DATE | 2020/9/16 | PART NO. | UT-SD210M1-XP |
| DWN  | GINA      | REV.     | 2             |
| CHK  |           |          |               |
| UNIT | MM        |          |               |

ITEM

Sensor Connector M15.5