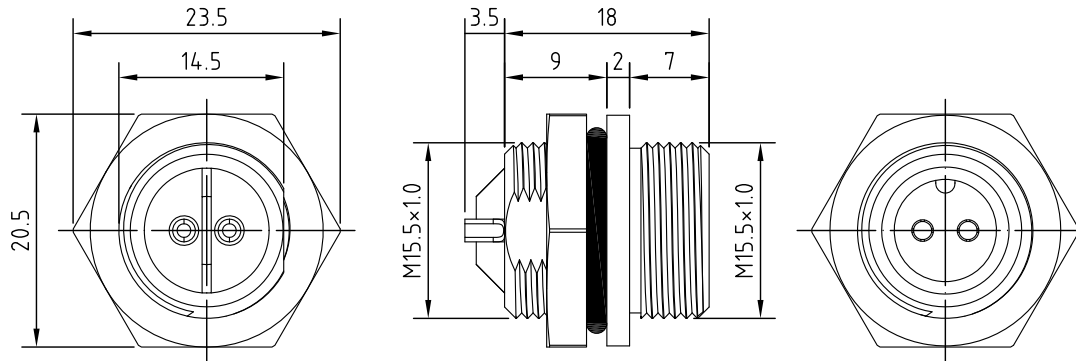


Recommended Panel cut-out

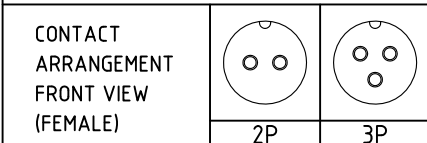
REV.	Description	Date
1	add recommended panel cut-out	2018/4/16
2	panel cut-out dimension revise	2020/9/16

Specification of connector

Locking system : screw M15.5
 Termination : solder
 Shell protection : IP68
 Rated voltage : 250V
 Rated current : 10A
 Contact resistance : $\leq 10\text{m}\Omega$
 Insulation resistance : $\geq 10\text{M}\Omega$



RoHS
TOLERANCE X±0.5 .X±0.3



4	Nut	PA
3	O ring	Rubber
2	Pin	Brass/Gold plated
1	Body	PA
Item	Description	Material&Plating



Unicable Co., Ltd. 國陽電業有限公司

5F., No. 111-33, Sec. 4, San Ho Road., San Chung Dist., New Taipei City, Taiwan
<http://www.unicable.com.tw> Tel:+886-2-2286-2122 Fax:+886-2-2286-1010

DATE	2020/9/16	PART NO.	UT-SD210M2-XP
DWN	GINA	REV.	2
CHK			
UNIT	MM		

ITEM	Sensor Connector M15.5
------	------------------------