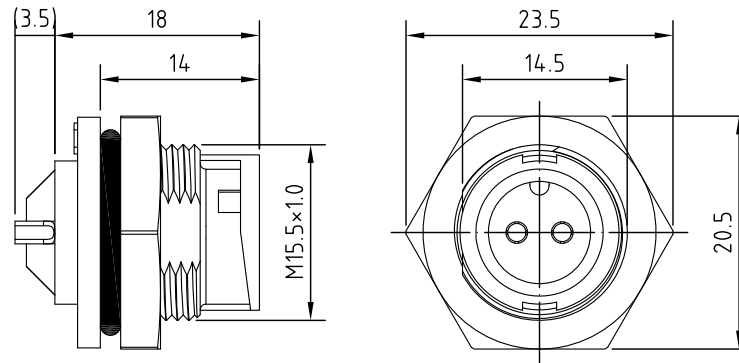


Recommended Panel cut-out

REV.	Description	Date
1	add recommended panel cut-out	2018/4/16
2	panel cut-out dimension revise	2020/9/16

Specification of connector

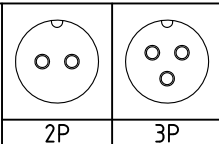
Locking system : Twist Lock  
 Termination : solder  
 Shell protection : IP68  
 Rated voltage : 250V  
 Rated current : 10A  
 Contact resistance :  $\leq 10\text{m}\Omega$   
 Insulation resistance :  $\geq 10\text{M}\Omega$



RoHS  
TOLERANCE X $\pm$ 0.5 .X $\pm$ 0.3

4	Nut	PA
3	O ring	Rubber
2	Pin	Brass/Gold plated
1	Body	PA
Item	Description	Material&Plating

CONTACT ARRANGEMENT FRONT VIEW (FEMALE)



Unicable Co., Ltd. 國陽電業有限公司

5F., No. 111-33, Sec. 4, San Ho Road., San Chung Dist., New Taipei City, Taiwan  
<http://www.unicable.com.tw> Tel:+886-2-2286-2122 Fax:+886-2-2286-1010

DATE	2020/9/16	PART NO.	UT-SD210M3-XP
DWN	GINA	REV.	2
CHK			
UNIT	MM		

ITEM

Sensor Connector M15.5