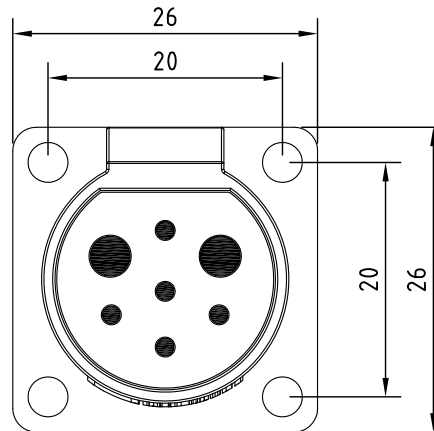
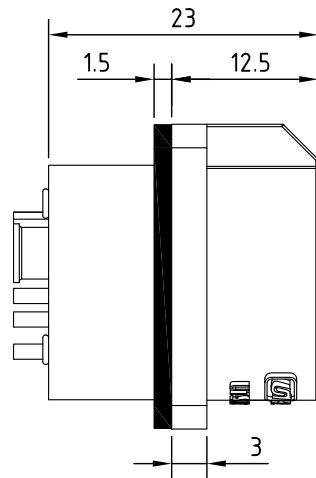
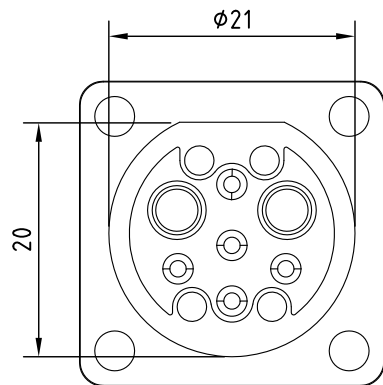


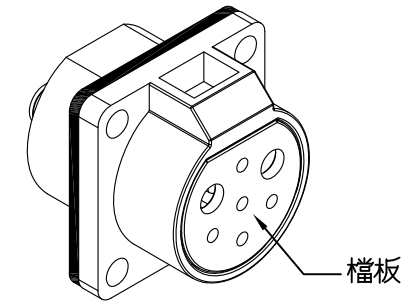
Recommended
Panel cut-out



REV.	Description	Date

Specification of connector

Locking system : Quick Lock
 Shell protection : IP65
 Rated voltage : 250V
 Rated current : Large pin 35A
 : Small pin 10A
 Contact resistance : Large pin <5mΩ
 : Small pin <30mΩ
 Insertion force : <80N
 Withdrawal force : <80N



RoHS
TOLERANCE X±0.5 .X±0.3

3	Pad	Rubber
2	Pin	Brass/Gold plated
1	Body	PA
Item	Description	Material&Plating



Unicable Co., Ltd. 國陽電業有限公司

5F., No. 111-33, Sec. 4, San Ho Road., San Chung Dist., New Taipei City, Taiwan
<http://www.unicable.com.tw> Tel:+886-2-2286-2122 Fax:+886-2-2286-1010

DATE	2019/6/17	PART NO.	UT-SD357F-7P
DWN	GINA	REV.	0
CHK			
UNIT	MM		

ITEM	Type K: Male connector
------	------------------------