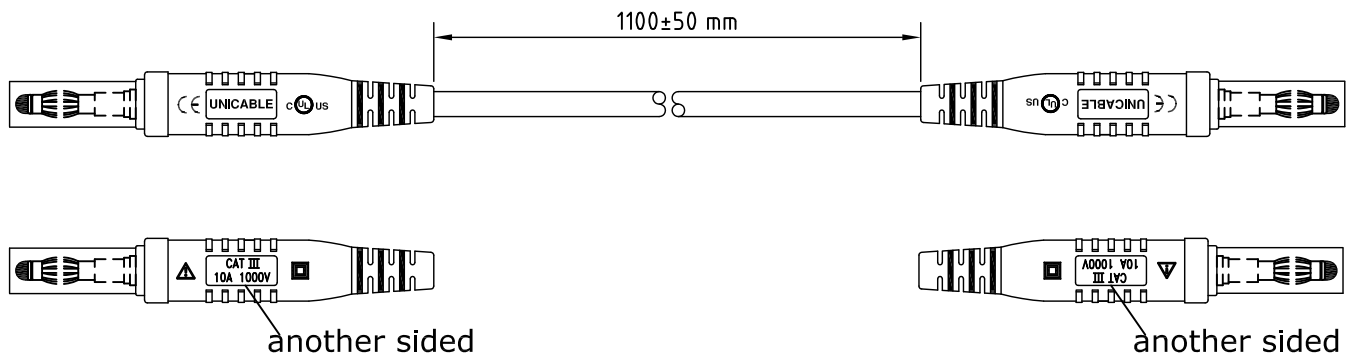


# Unicable

Model UT-2696AA 001  
IEC 61010 Compliant Test Lead  
UL Listed



## Material :

Wire : Tinned copper stranded, Silicone Rubber, Insulation

Length : 110cm

Banana Plug : Body Brass, Nickel Plated

Spring Beryllium Copper, Nickel Plated

Insulation : Polypropylene Resin Flame Retardant Grade UL94V-0

## Rating :

IEC 61010-031 CAT III

Operating Voltage : 1000V DC

Current : 10 Ampers

CE Rated

Ordering Information : Model UT-2696AA 001

Included a set of one black and one red test lead

Unicable Co., Ltd. Tel:+886-2-22862122 Fax:+886-2-22861010  
5F., No. 111-33, Sec.4, San Ho Road, San Shung Dist.,  
New Taipei City, Taiwan, R.O.C.